

The Arabidopsis SOMATIC EMBRYOGENESIS RECEPTOR KINASE 1 Gene Is Expressed in Developing Ovules and Embryos and Enhances Embryogenic Competence in Culture¹

Valérie Hecht, Jean-Philippe Vielle-Calzada², Marijke V. Hartog, Ed D.L. Schmidt³, Kim Boutilier⁴, Ueli Grossniklaus, and Sacco C. de Vries*

Laboratory of Molecular Biology, Wageningen University, 6703HA Wageningen, The Netherlands (V.H., M.V.H., E.D.L.S., K.B., S.C.d.V.); Cold Spring Harbor Laboratory, Cold Spring Harbor, New York 11724 (J.-P.V.-C., U.G.); and Department of Plant Biology, University of Zurich, Zurich CH-8008, Switzerland (U.G.)

We report here the isolation of the Arabidopsis SOMATIC EMBRYOGENESIS RECEPTOR-LIKE KINASE 1 (*AtSERK1*) gene and we demonstrate its role during establishment of somatic embryogenesis in culture. The *AtSERK1* gene is highly expressed during embryogenic cell formation in culture and during early embryogenesis. The *AtSERK1* gene is first expressed in planta during megasporogenesis in the nucleus of developing ovules, in the functional megaspore, and in all cells of the embryo sac up to fertilization. After fertilization, *AtSERK1* expression is seen in all cells of the developing embryo until the heart stage. After this stage, *AtSERK1* expression is no longer detectable in the embryo or in any part of the developing seed. Low expression is detected in adult vascular tissue. Ectopic expression of the full-length *AtSERK1* cDNA under the control of the cauliflower mosaic virus 35S promoter did not result in any altered plant phenotype. However, seedlings that overexpressed the *AtSERK1* mRNA exhibited a 3- to 4-fold increase in efficiency for initiation of somatic embryogenesis. Thus, an increased *AtSERK1* level is sufficient to confer embryogenic competence in culture.

In flowering plants, zygotic embryos are formed as a result of the fusion of the male and female gametes. In Arabidopsis, where embryo development has been thoroughly characterized (for review, see Laux and Jürgens, 1997), the fertilized zygote elongates and divides once asymmetrically to give a basal and an apical cell. Further divisions of the basal cell result in the formation of the suspensor, the quiescent center, and the columella root cap of the root meristem. All other pattern elements of the zygotic embryo, including the shoot apical meristem (SAM), hypocotyl, and cotyledons derive from the apical cell. It is not clear whether the egg cell is competent to execute the embryo program by itself or whether fertilization is necessary for the acquisition of embryogenic competence.

In culture, a small proportion of single somatic cells can be induced to change fate toward embryogenesis by application of exogenous auxins. These cells are called "competent cells" and can give rise to embryogenic cells from which somatic embryos can develop (Toonen et al., 1993). The formation of competent cells in culture depends on the presence of certain arabinogalactan proteins produced by non-embryogenic cells in culture (McCabe et al., 1997; Toonen et al., 1997a). Therefore, some form of signaling between embryogenic and nonembryogenic cells appears to be required for embryo initiation.

One of the genes expressed in competent cells in carrot (*Daucus carota*) tissue culture is the SOMATIC EMBRYOGENESIS RECEPTOR KINASE (*DcSERK*; GenBank accession no. A67796) gene, which encodes a Leu-rich repeat (LRR) transmembrane receptor-like kinase (RLK). Single competent cells destined to develop into somatic embryos expressed the luciferase reporter gene under the control of *DcSERK* regulatory elements. Therefore, *DcSERK* is considered to mark cells competent to form embryos in culture. During zygotic embryogenesis, expression of the *DcSERK* gene was found in globular zygotic embryos, and not in later embryo stages. Based on these observations, it was proposed that the same signal transduction pathway is activated during the acquisition of embryogenic competence by somatic cells and during zygotic embryogenesis after fertilization (Schmidt et al., 1997).

¹ This work was supported through a collaboration with Novartis (grant nos. PL96662282 and ERBIO4-CT96-0689 from the European Union Biotechnology program to S.C.d.V.), by Pioneer Hi-Bred International (competitive research award to U.G. and J.-P.V.-C.), and by the Swiss National Science Foundation (fellowship to J.-P.V.-C.).

² Present address: CINVESTAV-Irapuato, Departamento de Ingeniería Genética, Irapuato, México.

³ Present address: GeneTwister, P.O. Box 193, 6700AD Wageningen, The Netherlands.

⁴ Present address: Plant Research International, P.O. Box 16, 6700AA Wageningen, The Netherlands.

* Corresponding author; e-mail sacco.devries@mac.mb.wau.nl; fax 31-317-483584.

www.plantphysiol.org/cgi/doi/10.1104/pp.010324.

LRR-type cell surface RLKs possess a number of characteristic domains. These include an extracellular domain (EX) containing a variable number of LRR units immediately followed by a single transmembrane domain and an intracellular kinase domain responsible for phosphorylating downstream proteins. One example of this type of receptor is the brassinosteroid receptor *BRASSINOSTEROID INSENSITIVE 1* (Li and Chory, 1997), which is involved in perception of this plant growth regulator (He et al., 2000). Another example is the *CLAVATA1* (CLV1) receptor that has a role in maintaining the proper balance between undifferentiated cells and cells destined to differentiate into organs in the SAM (Clark et al., 1997). Several components of the CLV1 signaling pathway have been identified. The kinase-associated protein phosphatase is a negative regulator of CLV1 (Williams et al., 1997; Stone et al., 1998). The small peptide *CLAVATA3* (CLV3) is postulated to be the ligand of CLV1 (Clark et al., 1995; Fletcher et al., 1999; Trotochaud et al., 1999, 2000). A second LRR receptor kinase *CLAVATA2* (CLV2) is required for the stability of the CLV1 receptor and may heterodimerize with it (Kayes and Clark, 1998; Jeong et al., 1999). Thus, RLKs appear to have a prominent role in cellular signaling in plants (Becraft, 1998; Lease et al., 1998).

The aim of the work presented here was to determine if the SERK-mediated signaling pathway is employed during zygotic and somatic embryogenesis in Arabidopsis. To achieve this, we first isolated the most closely related *SERK* gene from Arabidopsis, *AtSERK1* (GenBank accession no. A67815). Several other *SERK1*-related sequences are present in the Arabidopsis genome database, indicating that *AtSERK1* is part of a small family consisting of five members. The *AtSERK1* expression pattern was determined by reverse transcriptase (RT)-PCR, promoter-reporter analysis, and in situ hybridization (ISH) during somatic and zygotic embryogenesis. Like *DcSERK* in carrot, *AtSERK1* marks cells competent to form embryos in culture. The *AtSERK1* gene is first expressed in the nuclear tissue of developing ovules including the megaspore mother cell (MMC). Furthermore, the embryogenic competence of callus derived from seedlings overexpressing *AtSERK1* was 3 to 4 times higher when compared with wild-type callus. These results indicate that the *AtSERK1* product is sufficient to confer embryogenic competence in culture. The possible acquisition of embryogenic competence by the egg cell mediated by this gene is discussed.

RESULTS

Molecular Cloning of *AtSERK1*

To isolate the orthologous *SERK* gene from Arabidopsis, we screened a genomic lambda phage library with the carrot cDNA clone as a probe and obtained

one phage containing the entire *AtSERK1* gene (GenBank accession no. A67815). A full-length *SERK1* cDNA was isolated from an Arabidopsis cDNA library made from flower buds and opened flowers (Li and Thomas, 1998). This cDNA consisted of an open reading frame of 1,875 nucleotides and 194 nucleotides of 5'-untranslated region (GenBank accession no. A67827).

The predicted *AtSERK1* protein of 625 amino acids has a calculated molecular mass of 69 kD, and is slightly acidic (predicted pI of 5.25). The amino acid sequence of *AtSERK1* shows a high percentage of identity with *DcSERK* (92%) and shares all the characteristic features of that protein, including the five LRRs, the Pro-rich domain containing the so-called Ser-Pro-Pro (SPP) motif, containing two tandemly repeated SPP sequences, the transmembrane domain, and the kinase domain (Schmidt et al., 1997). Figure 1A shows the hydrophilicity plot for *AtSERK1* containing two strongly hydrophobic regions. The first region, spanning residues 1 through 29, meets the conditions defining a signal peptide (von Heijne, 1986), with a potential signal peptidase cleavage site between positions 29 and 30. The second hydrophobic region, spanning residues 231 through 276, corresponds to the putative transmembrane domain separating the extracellular part of the protein and the intracellular kinase domain.

Directly adjacent to the cleavage site of the putative signal peptide, the *AtSERK1* protein contains a Leu-rich domain of 45 amino acids fitting the Leu-zipper (LZ) pattern $Lx_6Lx_6Lx_6L$ (Landschulz et al., 1988). It is surprising that these two domains are not present in *DcSERK*, which instead contains 28 amino acids that are absent in *AtSERK1*. The substantial similarity between the two proteins (92%) only begins at position 99 of *AtSERK1*. The LRR domain of *AtSERK1* extends from positions 75 through 194 and is composed of five units. In most LRR receptor kinases, the transmembrane domain immediately follows the LRR domain. However, in *AtSERK1*, as in *DcSERK*, a Pro-rich region containing a repeated SPP motif separates these domains. We consider the SPP motif to be one of the hallmarks of the SERK-like RLKs. This motif has been suggested to act as a hinge providing flexibility to the extracellular part of the receptor or as a region for interaction with the cell wall. The intracellular region of *AtSERK1* is also similar to *DcSERK*, containing the 11 subdomains characteristic of the catalytic core of Ser/Thr protein kinases (Hanks et al., 1988; Stone and Walker, 1995) and a C-terminal Leu-rich domain suggested to be involved in protein-protein interactions (Schmidt et al., 1997). Both intracellular domains from *AtSERK1* and *DcSERK* have been shown to be active Ser/Thr kinases (Shah et al., 2001a, 2001b).

Comparison of cDNA and genomic sequences of the *AtSERK1* gene shows the presence of 11 exons in the coding region (Fig. 1B). The intron splice site

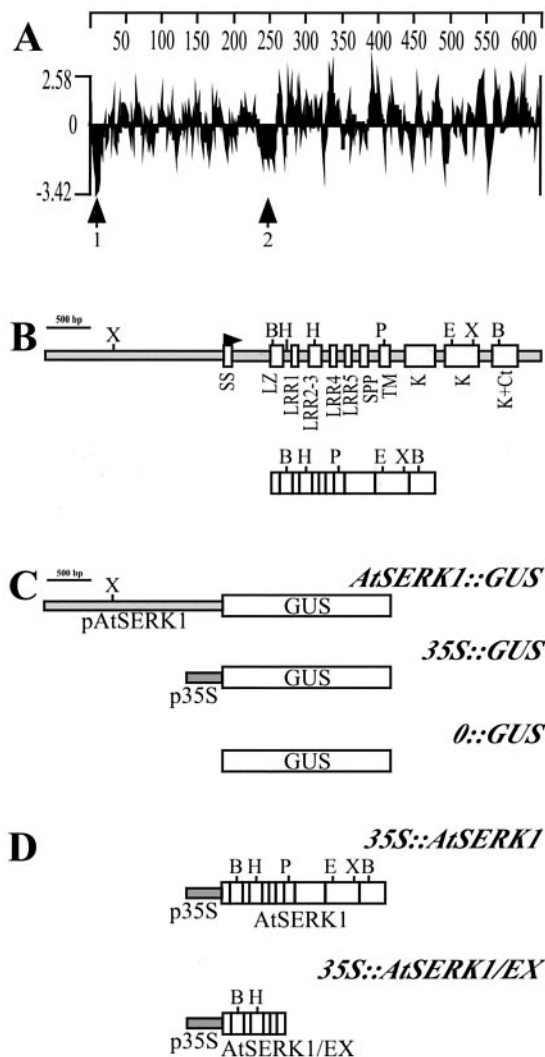


Figure 1. Description of the Arabidopsis SERK1 gene and protein. A, Kyte-Doolittle hydrophobicity plot of AtSERK1 protein. Arrows 1 and 2 indicate the two hydrophobic regions of the protein. B, Genomic organization of *AtSERK1* gene in Arabidopsis. Up, Genomic DNA; down, cDNA. White boxes indicate exons and gray boxes indicate non-coding regions. SS, Signal sequence; SPP, Pro-rich domain containing the SPP motif; TM, transmembrane domain; K, kinase domain; Ct, C terminus. C, Constructs used for expression analysis. The *AtSERK1* 2-kb promoter was fused to the GUS reporter gene in *AtSERK1::GUS* construct. As positive control, the cauliflower mosaic virus (CaMV) 35S promoter was fused to GUS *35S::GUS*, and as negative control, the GUS gene was promoterless *0::GUS*. D, Constructs used for overexpression analysis. *35S::AtSERK1* and *35S::AtSERK1-EX* are fusions between *AtSERK1* complete or partial cDNA to the 35S promoter. Restriction sites: B, *Bam*HI; E, *Eco*RI; H, *Hind*III; P, *Pst*I; and X, *Xba*I.

consensus sequences fit the canonical GT/AG-U2-dependent borders (Brown et al., 1996). The overall structure of the *AtSERK1* gene is such that the putative protein domains described above are all located in separate exons. In particular, each LRR unit is encoded by a different exon, with the exception of LRR2 and 3, which are encoded by exon 4. The sep-

aration of individual LRR units in different exons has been described previously for other LRR protein-encoding genes such as the *LRP* (Leu-rich protein) gene (Tornero et al., 1996) and the *ZmSERK* genes (Baudino et al., 2001). This phenomenon also occurs in some RLK genes such as *ERECTA*, which contains 21 LRRs that are all encoded in separate exons (Torii et al., 1996). These instances of similarity in the genomic organization of LRRs suggest an exon-based definition of a LRR unit as aLxxNNLSGxaPxxLxx-LxxLxxL, which differs in frame from the LRR consensus sequence of xLxxLaLxxNNLSGxaPxxLxxLx previously proposed (Kobe and Deisenhofer, 1994).

We also obtained the full genomic sequence of *DcSERK* (GenBank accession no. U93048). Comparison with the *DcSERK* cDNA revealed the presence of nine introns in the coding region. Of the 11 *AtSERK1* exons, the last eight correspond closely to the last eight of *DcSERK*, encoding exactly the same amino acid regions of the predicted proteins. The first two exons of *DcSERK* are not represented in the *AtSERK1* sequence. Sequences highly homologous to the first three exons of *AtSERK1* are present in the *DcSERK* genomic sequence, about 2.3 kb upstream of the predicted *DcSERK* translation initiation site.

Arabidopsis Contains Five SERK-Related Genes

A tBLASTn search (Altschul et al., 1990) identified a large number of sequences related to *AtSERK1*. However, only four sequences (on three bacterial artificial chromosomes [BACs]; GenBank accession nos. AC07454, AL035678, and AC06436) contained the characteristic structure of *AtSERK1*, including the LZ domain, five LRRs, SPP motif, and transmembrane and kinase domains; therefore, we designated them *AtSERK2*, *AtSERK3*, *AtSERK4*, and *AtSERK5* (Baudino et al., 2001). Complete cDNA clones and sequences from *AtSERK2* and *AtSERK3* were obtained from the cDNA library described above (GenBank accession nos. AF384969 and AF384970). The amino acid identity with *AtSERK1* ranges from 90% for *AtSERK2* to 67% for *AtSERK5*. Identity within the kinase domain is 95% to 85% for all five sequences and all contain the core sequences characteristic of Ser/Thr kinases. Identity is also high in the LRR region (89%–66%) and transmembrane domain (82%–54%). The greatest divergence is seen for *AtSERK3*, *AtSERK4*, and *AtSERK5* in the SPP (47%, 38%, and 31% identity, respectively) and C-terminal domains (44%, 38%, and 38% identity, respectively).

The *AtSERK1* gene is the most similar to the *DcSERK* gene at the nucleic acid level (74%). The genomic structure of all homologs is also similar to *AtSERK1*, with 11 predicted exons, each encoding a different domain of the protein. Because the Arabidopsis Genome Initiative sequencing project is completed (The Arabidopsis Genome Initiative, 2000), we believe that these five genes constitute the entire *SERK* family in Arabidopsis.

The chromosomal location of the *AtSERK1* gene was determined by hybridization to the physically ordered Centre d'Etude du Polymorphisme Humain, Institut National de la Recherche Agronomique, Centre National de la Recherche Scientifique (CIC) Yeast Artificial Chromosome library (Creusot et al., 1995; Meinke et al., 1998). Alignment of the seven hybridizing clones (3F2, 7E8, 9D6, 11B11, 12A5, 12G10, and 12H9) provided a map position for *AtSERK1* between markers g4552 and nga111 on chromosome 1, between genetic markers *CLV2* and *CLV1*. Fluorescence ISH on pachytene chromosomes using the *AtSERK1* lambda phage clone and the Yeast Artificial Chromosome clones CIC3F2 and CIC12H9 confirmed the location on chromosome 1 of all three clones (V. Hecht and P. Fransz, unpublished data). The BAC clone F14O23 sequence (GenBank accession no. AC12654) was recently released that contains the full *AtSERK1* gene. The map position of this BAC clone confirms the location of *AtSERK1* on chromosome 1. The three BAC clones containing the other Arabidopsis SERK homologs are located on chromosome 1 (*AtSERK2*), 2 (*AtSERK4* and *AtSERK5*), and 4 (*AtSERK3*; <http://www.Arabidopsis.org/>).

AtSERK1 Is Expressed Postembryonically and Marks Embryogenic Competent Cells

To examine the expression pattern of *AtSERK1*, a transcriptional fusion between the *AtSERK1* promoter and the *Escherichia coli* β -glucuronidase (*GUS*) gene was constructed. The CaMV 35S promoter was used as a positive control to evaluate the strength and the specificity of the *AtSERK1* promoter. A promoterless *GUS* construct was used as a negative control to evaluate the background *GUS* activity. The constructs used are detailed in Figure 1C. These constructs were stably transformed into the Arabidopsis genome via *Agrobacterium tumefaciens* using vacuum infiltration. Several independent transformants were obtained for each construct. No *GUS* activity was detected in lines containing the *0::GUS* construct. Lines containing the construct *35S::GUS* showed *GUS* activity throughout the whole plant life cycle (data not shown). Three independent transformant lines containing the *AtSERK1::GUS* construct were obtained. All three showed exactly the same *GUS* expression pattern.

We first analyzed the *AtSERK1::GUS* expression pattern during postembryonic development. *GUS* staining was found in vascular tissue of seedlings and adult plants after long incubation times and is shown in Figure 2, A through C. Germinating seedlings show *GUS* expression in vascular bundles of the cotyledons, primary leaves, hypocotyl, and roots (Fig. 2, A and B). This vascular expression pattern is also found in other organs of the mature plant, such as the pedicel and the petals (Fig. 2C).

A line containing the *AtSERK1::GUS* construct was used to examine if the *AtSERK1* gene was expressed

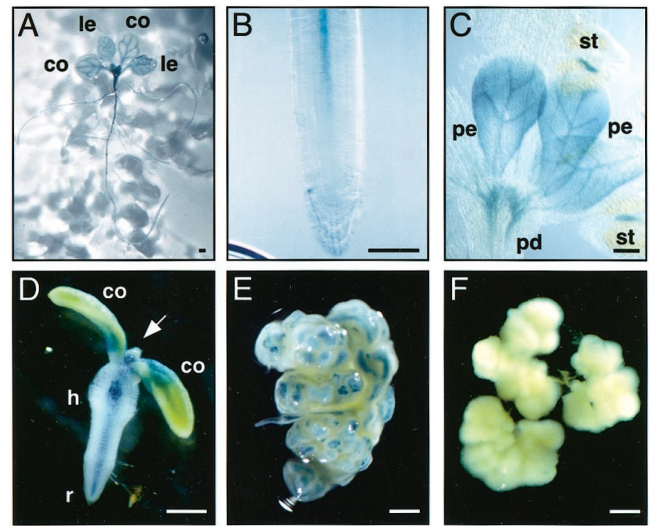


Figure 2. *AtSERK1* expression pattern postembryonically and in embryogenic cultures. *GUS* expression of plants containing the *AtSERK1::GUS* construct was followed throughout plant life (A–C) and during induction of embryogenic cultures in *amp1* seedlings (D–F). A, Seedling 15 d after germination (DAG). B, Root tip of the seedling shown in A. C, Flower of an adult plant. D, 4 DAG seedlings germinated in presence of 2, 4-D; arrow indicates the SAM. E, Embryogenic callus at 28 DAG. F, Nonembryogenic callus after 40 DAG. Bar, 1 mm; co, cotyledon; h, hypocotyl; le, primary leaves; pd, pedicel; pe, petal; r, root; st, stamen.

during the early stages of somatic embryogenesis. In the *altered meristem program 1 (amp1)* or *primordia timing (pt)* mutant seedling protocol (Mordhorst et al., 1998), *amp1* seeds are germinated in inducing medium containing the growth regulator 2,4-dichlorophenoxyacetic acid (2,4-D). This leads to the formation of embryogenic callus, predominantly from the SAM region. Somatic embryos form on primary callus and on callus cultured in liquid medium. Plants containing the *AtSERK1::GUS* construct were crossed with the *amp1* mutant. The F_2 progeny of this cross was screened for the presence of the construct and the *amp1* phenotype.

The *AtSERK1::GUS* expression pattern was determined in embryogenic and nonembryogenic cultures from F_3 seeds germinated in inducing medium is shown in Figure 2, D through F. Seedlings germinated in inducing medium exhibited a strong *AtSERK1::GUS* expression in the SAM region and in all vascular tissue (Fig. 2D), indicating a possible promoter effect of auxin on *AtSERK1* promoter activity. Outer cell layers of the cotyledons, hypocotyl, and radicle did not show *GUS* expression. Soon after culture initiation in inducing medium, embryogenic structures appeared from the SAM region. These structures show strong *AtSERK1::GUS* expression (Fig. 2E). Regular subculture of the embryogenic callus gave rise to high numbers of somatic embryos, which appeared to originate from the *GUS*-expressing cell clusters. Nonembryogenic callus, characterized by its white color and the absence of

somatic embryo formation, was gradually obtained from embryogenic callus via selective subculturing. During the first weeks of subculturing, some *AtSERK1::GUS* expression remained in isolated groups of cells (data not shown). With continued subculture and selection, the culture became nonembryogenic and *AtSERK1::GUS* expression decreased to zero within 40 DAG (Fig. 2F). A more detailed analysis of *AtSERK1::GUS* expression during initiation of embryogenic cultures in Arabidopsis will be described elsewhere.

From these observations it appears that *AtSERK1::GUS* expression is found in cells as they acquire embryogenic competence. This supports the previous conclusion from studies in carrot (Schmidt et al., 1997) and in *Dactylis glomerata* (Somleva et al., 2000) that *AtSERK1* is a marker for competent cells to form embryos in culture.

The *AtSERK1* Gene Is Expressed in Developing Ovules and Early Embryos

To identify which cells express *AtSERK1* during ovule development and zygotic embryogenesis, we investigated the expression pattern of *AtSERK1* in planta. We first analyzed the *AtSERK1* expression at the organ level using semiquantitative RT-PCR analysis. Total RNA was isolated from various tissues including flower buds, fertilized flowers, siliques, stems, leaves, roots, and seedlings. After reverse transcription, *AtSERK1* cDNA (accession no. A67827) was amplified and the cyclophilin *ROC5* mRNA (Chou and Gasser, 1997) was used as internal control. No amplification of mRNAs with specific primers was observed when the RT step was omitted. The results are shown in Figure 3, A and B. *AtSERK1* mRNA was most abundant in closed flower buds before fertilization and in flowers 3 d after pollination, which contained developing seeds with embryos from stages 1 through 7 (Jürgens and Mayer, 1994). A low level of *AtSERK1* mRNA was also detected in all other organs tested. Quantitative analysis showed that *AtSERK1* mRNA was almost 10 times higher in flower buds relative to leaf tissue (Fig. 3C).

The *AtSERK1* expression pattern at the cellular level was examined using mRNA ISH and GUS staining. The results are presented in Figure 4. For ISH experiments, a partial *AtSERK1* cDNA fragment containing the 5'-untranslated region and the first two exons was used as an *AtSERK1*-specific probe. For GUS expression analysis, the three independent transformant lines containing the *AtSERK1::GUS* construct were used.

The proximal-distal polarity of the ovule is established prior to meiosis. It divides the ovule primordia into three distinct parts: The proximal part is the precursor of the funiculus, the central part is the precursor of the integuments, and the distal part is the precursors of the nucleus and embryo sac. Ex-

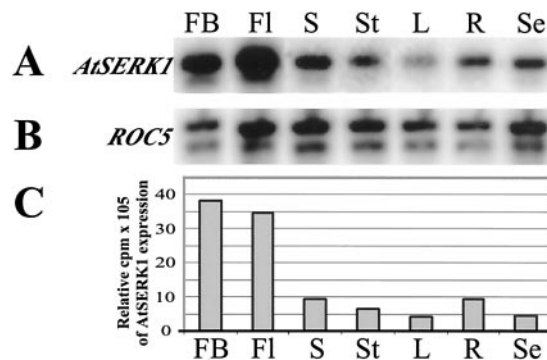


Figure 3. *AtSERK1* expression during plant development determined by semiquantitative RT-PCR. A, *AtSERK1* expression pattern at 30 cycles. B, *ROC5* expression pattern at 30 cycles. C, Relative expression of *AtSERK1*. FB, Flower buds; FI, opened flowers containing embryos from stages 0 through 7; S, siliques containing embryos from stages 7 through 20; St, stems; L, rosette leaves; R, roots; Se, seedlings 7 DAG.

pression of *AtSERK1* was first detected in the whole ovule primordium at stage 1 (Schneitz et al., 1995). At this stage, no expression was detected in the placental tissue or in the developing carpel (Fig. 4A). *AtSERK1* expression in the ovule persisted throughout MMC differentiation and meiosis (stage 2-I; Fig. 4B), and appeared to increase by the time of functional megaspore differentiation. In agreement with the ISH data, GUS expression was also found in developing ovules. Strong *AtSERK1::GUS* expression was found in the distal side and weaker expression in the proximal part of ovule primordia (stage 2-IV; Fig. 4C). At this stage, the nucleus has begun to divide and enlarge (Schneitz et al., 1995). In contrast, the central area of the ovule primordia, which gives rise to the integuments, was devoid of GUS expression. *AtSERK1* expression was detectable in all distal cells of the ovule primordia, including the epidermis, cortical cells, and the dividing megaspore. GUS activity persisted in the functional megaspore and in the nucleus during subsequent stages of ovule development. During megagametogenesis, the GUS staining continued to be restricted to the nucleus, and was not present in the inner or outer integuments (stages 2-IV; Fig. 4D). It is interesting that *AtSERK1* expression was detected in all constituents of the embryo sac, including the synergids and the central cell (Fig. 4E), as well as the egg cell and the antipodal cells (Fig. 4F). After fertilization, *AtSERK1* expression appeared to decrease rapidly and was only detected in a few cells at the micropylar pole of the developing seed corresponding to the fertilized zygote (Fig. 4, G and H). Later in embryo development, a hybridization signal was found in all cells derived from the fusion of the gametes, including the embryo proper and suspensor (Fig. 4, H and I), as well as in the free endosperm nuclei (Fig. 4J). *AtSERK1* expression persisted in all cells of the embryo until the heart stage (stage 14; Fig. 4, K and L; Jürgens and Mayer, 1994).

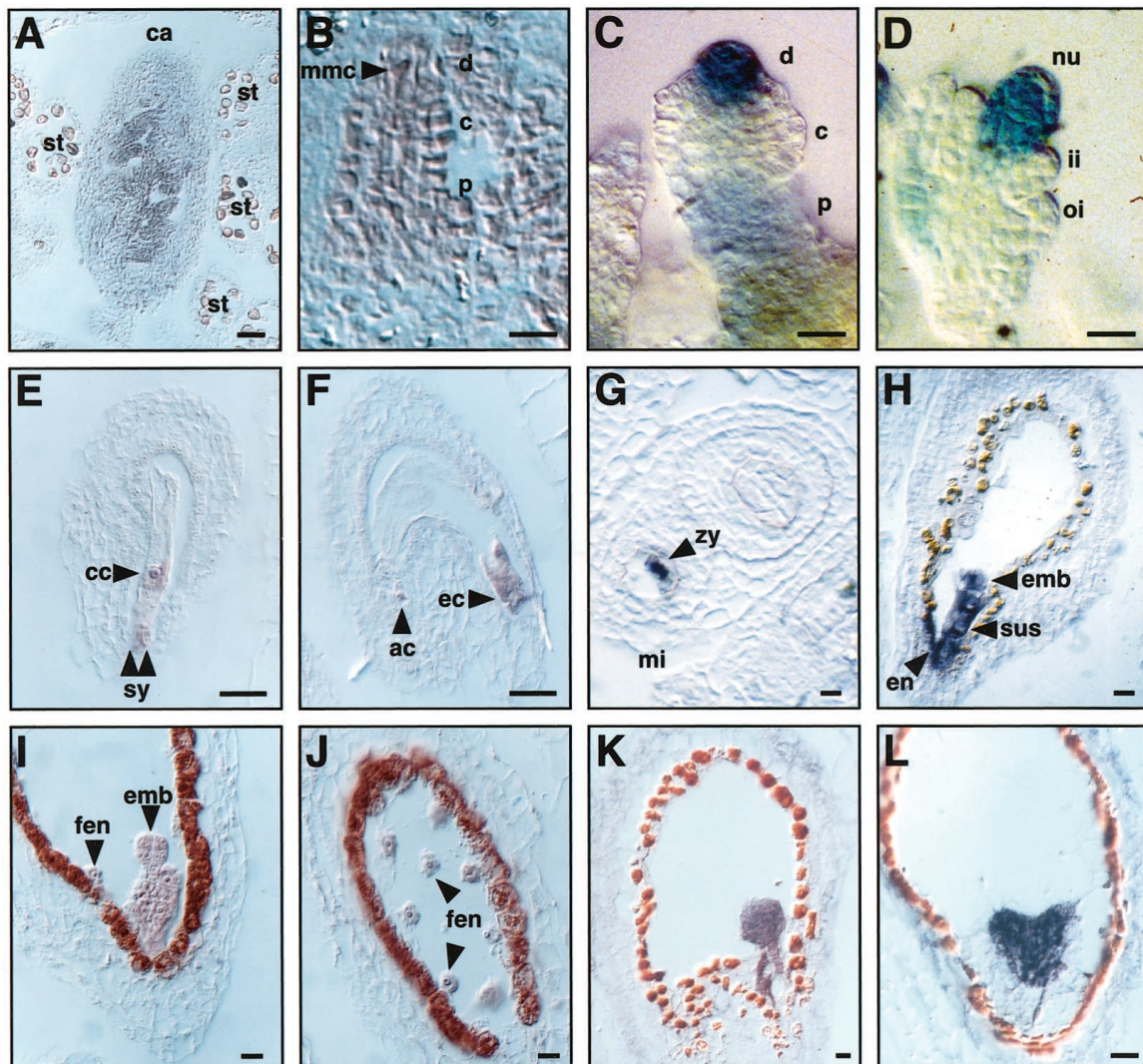


Figure 4. Expression of the *AtSERK1* in developing ovules and seeds. Expression pattern determined by ISH or by GUS staining (GUS). A, Transversal section of a flower bud containing young ovule primordia (ISH). B, Ovule primordia at stage 2-II, arrow indicates dividing MMC (ISH). C, Ovule primordia at stage 2-IV (GUS). D, Ovule primordia at stage 3-I (GUS). E, Mature embryo sac showing expression in the egg cell and the antipodal cells (ISH). F, Mature embryo sac showing expression in the synergids and the central cell (ISH). G, Transversal section of a developing seed containing an embryo at stage 2 (ISH). H, Longitudinal section of a developing seed containing an embryo at stage 4 (ISH). I, Longitudinal section of a developing seed containing an embryo at stage 5 (ISH). J, Longitudinal section of the same developing seed as in (I) showing the free endosperm nuclei (ISH). K, Longitudinal section of a developing seed containing an embryo at stage 8 (ISH). L, Longitudinal section of a developing seed containing an embryo at heart stage (ISH). Bars: A through D, 10 μm ; E through L, 20 μm . ac, Antipodal cell; c, central; d, distal; cc, central cell; ec, egg cell; emb, embryo proper; en, endothelium; fen, free endosperm nuclei; ii, inner integument; mi, micropylar pole; nu, nucleus; oi, outer integument; p, proximal; st, stamen; su, suspensor; sy, synergids; zy, zygote.

At later stages of embryo development, no ISH signal or GUS expression was detectable even after long incubation times (data not shown).

Taken together, these results show that *AtSERK1* is expressed prior to fertilization in ovules and transiently during early embryo development. The low level of *AtSERK1* expression in other organs found by RT-PCR is likely to reflect the expression in vascular tissues seen in the *AtSERK1::GUS* lines. However, expression in these tissues was never confirmed by

ISH, possibly due to low steady-state *AtSERK1* mRNA levels.

AtSERK1 Increases Embryogenic Competence

We next investigated the effect of ectopic expression of the *AtSERK1* gene using two different constructs containing *AtSERK1* under the control of the CaMV 35S constitutive promoter. The first construct contained the full *AtSERK1* cDNA (*35S::AtSERK1*),

whereas the second only contained the EX of the protein ($35S::AtSERK1/EX$). The constructs used are depicted in Figure 1D. These constructs were transferred into *Arabidopsis* by vacuum infiltration in two different transformation series for each construct. Several independent transformants containing single insertions were identified and allowed to self-fertilize to obtain homozygous lines. These lines showed normal fertility and seed set.

Several of these lines were tested for embryogenic cell formation using the *in vitro* seedling assay (Mordhorst et al., 1998). Representative calli are shown in Figure 5. In this assay, seeds are germinated in medium with 2,4-D. After 3 weeks, the percentage of embryogenic structures is scored. Em-

bryogenic cultures are established after 7 weeks and are then scored for embryogenic capacity, which is assessed as the number of somatic embryos developed per individual cell cluster. This is a more reproducible measure of embryogenic potential than the percentage of embryogenic structures that initially developed because this latter measure is more variable across different seed batches (M.V. Hartog, A.P. Mordhorst, and S.C. de Vries, unpublished data).

Using this assay, it was shown previously that somatic embryogenesis is facilitated by mutations in genes repressing meristematic cell divisions such as *amp1* and the *clavata* mutants (Mordhorst et al., 1998). Therefore, we included cultures obtained from *amp1* mutant seedlings as a positive control in our analysis (Fig. 5A), in addition to cultures from wild-type WS seedlings as negative controls (Fig. 5B). Calli obtained from seedlings homozygous for the $35S::AtSERK1$ construct 4 weeks after induction (Fig. 5C) were highly embryogenic when compared with the positive control. Similar calli obtained from seedlings homozygous for the $35S::AtSERK1/EX$ construct were almost nonembryogenic (Fig. 5D) when compared with the negative control. A more quantitative analysis is presented in Table I. Out of 1,727 seedlings tested that contained the $35S::AtSERK1$ construct, 16% developed embryogenic structures after 3 weeks. Scored after 7 weeks, the cultures developed from $35S::AtSERK1$ lines had an embryogenic capacity score of 1.4 on an arbitrary scale ranging from 0 (wild-type WS) to 3 (*amp1*). Out of 1,258 tested seedlings containing the $35S::AtSERK1/EX$ construct, 13% developed embryogenic cultures after 3 weeks, but the embryogenic capacity scored after 7 weeks was only 0.1.

The *AtSERK1* expression levels in embryogenic and nonembryogenic cultures obtained from *amp1*-, WS-, and $35S::AtSERK1$ -containing seedlings were analyzed by RT-PCR. After reverse transcription, *AtSERK1* cDNA was amplified and the cyclophilin *ROC5* mRNA (Chou and Gasser, 1997) was used as an internal control (Fig. 5E). No amplification of mRNAs with specific primers was observed when the RT step was omitted. *AtSERK1* expression was detectable in all culture samples tested, although it was fairly weak in WS wild-type cultures, consistent with the weak embryogenic capacity of these cultures. In all cases, the *AtSERK1* mRNA was more abundant in embryogenic than in nonembryogenic cultures of each line. It is of interest to note that *AtSERK1* expression is considerably up-regulated in cultures derived from the *amp1* mutant (Fig. 5E). This may be a reflection of the natural tendency of this mutant to regenerate (Chaudhury et al., 1993; Mordhorst et al., 1998). Taken together, these results suggest that overexpression of *AtSERK1* is sufficient to confer sustained post-germination embryogenic competence in culture.

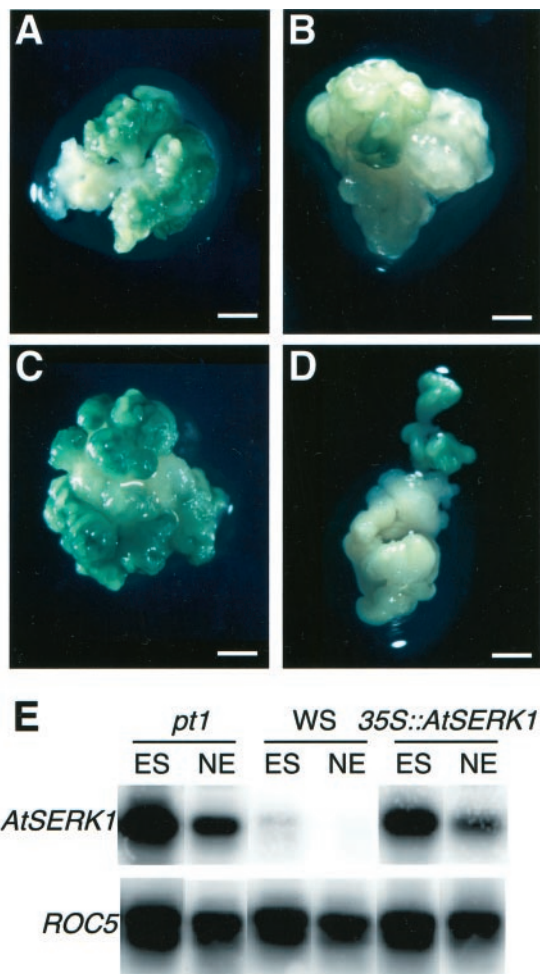


Figure 5. The effect of ectopic *AtSERK1* expression on embryogenic potential of seedlings. A through D, Embryogenic callus 4 weeks after initiation. A, Embryogenic callus of a *amp1* culture. B, Nonembryogenic callus of a Wassilewskija (WS) wild-type culture. C, Embryogenic callus of a $35S::AtSERK1$ culture. D, Embryogenic callus of a $35S::AtSERK1/EX$ culture. E, *AtSERK1* expression determined by RT-PCR after 30 cycles of callus from *amp1*, WS wild type, and $35S::AtSERK1$ 4 weeks after embryogenic culture initiation as shown in Figure 4, I through K. *ROC5* expression is shown as internal control. ES, Embryogenic structures; NE, nonembryogenic structures. Bar, A through D, 1 mm.

Table 1. Effect of ectopic *AtSERK1* expression on embryogenic potential of seedlings in culture

Line ^a	No. of Experiments ^b (No. of Lines Tested)	Total No. of Seedlings Tested	Percentage of ES ^c	Embryogenic Capacity after 7 Weeks ^d
<i>amp1</i> (Landsberg <i>erecta</i>)	7	363	18	3
WS (wild type)	9	403	5	0
35S:: <i>AtSERK1</i>	44 (9)	1,727	16	1.4
35S:: <i>AtSERK1-EX</i>	19 (6)	1,258	13	0.1

^a 35S::*AtSERK* constructs were introduced by vacuum infiltration. Transformants were selected on kanamycin and were maintained by selfing. T₂ through T₄ generations were selected for 100% kanamycin-resistant progeny and were tested for embryogenic induction using the *amp1* seedling assay (Mordhorst et al., 1998). ^b Data are pooled from several generations including two that were obtained via somatic embryogenesis of a T₂ plant. Individual experiments were performed over a period of 1.5 years. No significant differences were found between lines obtained via normal propagation and via somatic embryogenesis. ^c The percentage of embryogenic structures was determined by counting the seedlings that developed bright-green compact callus at their shoot apices after 3 weeks in culture, indicative of embryogenic capacity (Mordhorst et al., 1998). ^d The ability to develop into a stable embryogenic suspension culture was determined on a scale between 0 (WS wild-type plants) and 3 (*amp1* plants in Landsberg *erecta* background), based on the frequency and the quality of somatic embryos.

DISCUSSION

We describe here the isolation of the *AtSERK1* gene, the Arabidopsis gene most closely related to the carrot *DcSERK* gene. *AtSERK1* expression is found in cells acquiring embryogenic competence, in embryogenic cells, and in early somatic embryos. *AtSERK1* is also expressed in ovules prior to fertilization and transiently during zygotic embryo development. Low expression was found in vascular tissue. Ectopic expression of *AtSERK1* confers sustained embryogenic competence to seedlings under in vitro conditions. These results suggest that the *AtSERK1* gene plays an essential role in determining embryogenic competence.

SERK Is Represented by a Multigene Family in Arabidopsis

The carrot *SERK* gene was previously reported to be a marker for single cells competent to form embryos in suspension cultures (Schmidt et al., 1997). *DcSERK* encodes an LRR-containing RLK and belongs to a large and diverse family of receptor kinases in plants (Becraft, 1998; Lease et al., 1998). Limitations of the carrot system for functional analysis prompted us to initiate a search for *SERK* homologs in Arabidopsis.

The predicted primary structure of the *AtSERK1* protein consists of a signal peptide, an LZ domain, five LRR units, a Pro-rich domain containing the SPP motif, a single transmembrane domain, and the 11 conserved subdomains of a Ser-Thr kinase. At the carboxy-terminal end of the protein, there is a region rich in Leu residues, which may possibly be involved in interaction with other proteins. Although the LZ motif was described as a characteristic feature of DNA-binding proteins (Landschulz et al., 1988), it is also found in plant LRR-containing proteins, such as

LRP from tomato (*Lycopersicon esculentum*), which is involved in pathogen resistance (Tornerio et al., 1996).

The main feature distinguishing *SERK* proteins from other RLKs is the Pro-rich domain containing the SPP motif, located between the LRRs and the transmembrane domain. The presence of an SPP motif was used as a criterion for the identification of four other *SERK* genes (*AtSERK2* to *AtSERK5*) among numerous LRR-RLK encoding genes in the Arabidopsis database. Each of these genes has all the other characteristic features of *SERK* proteins outlined above. *AtSERK2* is the most closely related to *AtSERK1*, with *AtSERK3*, 4, and 5 comprising a separate subfamily. One of the most striking features of the *SERK* gene family is the highly conserved genomic structure. In all of the predicted *SERK* proteins, each of the EXs and each individual LRR unit is encoded in a separate exon. This genomic organization suggests a composition of a single LRR unit that is different from the one previously proposed by Kobe and Deisenhofer (1994). A similar genomic organization was previously described for other LRR encoding genes (Torii et al., 1996; Tornerio et al., 1996) and suggests that genes of this type may have evolved by exon duplication from a prototypic gene containing one LRR unit.

The presence of a *SERK* multiple gene family in Arabidopsis and also in maize (*Zea mays*; Baudino et al., 2001) implies that carrot is also likely to contain more than one *SERK* gene. The precise phylogenetic relationship between *SERK* genes in Arabidopsis and *DcSERK*, therefore, cannot yet be clearly defined. Nevertheless, *AtSERK1* is somewhat more similar to *DcSERK* at the nucleic acid level than the other Arabidopsis *SERK* genes, and was the only sequence identified in a genomic library using the *DcSERK* cDNA as a probe. Although we chose to first investigate the function of the *AtSERK1* gene due to higher

DNA identity, it is possible that AtSERK2 has a function similar to AtSERK1, due to the high degree of identity at the amino acid level with DcSERK.

The main difference between the *DcSERK* and *AtSERK1* mRNAs lies in their 5' regions. The first three exons in the Arabidopsis *SERK1* mRNA are absent in the carrot *SERK* mRNA and are replaced by two different exons, resulting in a slightly shorter mRNA. Although the three exons used in Arabidopsis are present in the genomic sequence of *DcSERK*, the predicted transcript could not be identified, despite extensive RT-PCR experiments (E.D.L. Schmidt, unpublished data). Furthermore, the first two exons present in the *DcSERK* mRNA are not present in any of the five Arabidopsis *SERK* genomic sequences. Therefore, we conclude that no alternatively spliced precursor corresponding to the *DcSERK* mRNA is produced in Arabidopsis.

The *AtSERK1* Gene Marks Embryogenic Competence in Culture

During initiation and maintenance of embryogenic carrot cell cultures, *DcSERK* expression was detected in a small number of cells attached to the explant, in a small subpopulation of cells in culture, in embryogenic cell clusters, and in somatic embryos up to the globular stage. Analysis of luciferase expression under the control of the carrot *SERK* regulatory elements showed a tight quantitative correlation between the ability of single cells to develop an embryo and *DcSERK* expression, demonstrating that this gene is a marker for single competent cells (Schmidt et al., 1997). The expression analysis of the *AtSERK1* gene confirms and extends these observations.

When seedlings are grown in the presence of auxin during the initiation of Arabidopsis embryogenic cultures, *AtSERK1* promoter activity is detected in the SAM and at the base of the cotyledons. Both are sites at which embryogenic callus emerges in Arabidopsis (Mordhorst et al., 1998; von Recklinghausen et al., 2000). It is of interest to note that weak *AtSERK1* promoter activity is also observed in the vascular tissue of seedlings grown in the absence of auxin. With a few exceptions, cells within the vascular tissue are among the first to reinitiate cell division in response to hormonal treatments (Guzzo et al., 1994, 1995). Cells competent to form embryos are derived from such dividing cells (Schmidt et al., 1997; Somleva et al., 2000). However, *SERK* expression was never seen in cells of the vascular tissue without 2,4-D treatment in *D. glomerata* leaf explants, and in carrot hypocotyl explants. This may be due to low steady-state *AtSERK1* mRNA levels, or may point to a difference between Arabidopsis and these two other plant species. If the *AtSERK1* expression as seen in cells of the vascular tissue marks embryogenic potential, the intriguing possibility exists that plants contain a small population of cells that retain

embryogenic competence, reminiscent of stem cells in animals (van der Kooy and Weiss, 2000; Watt and Hogan, 2000).

Embryogenic cultures are routinely established using persistent auxins as an inducing agent. In these cultures, only a small proportion of cells is competent to form embryos (Toonen and de Vries, 1997). Although the *AtSERK1* expression is clearly enhanced by application of 2,4-D, this expression does not remain constitutive in all cells grown in 2,4-D-containing media. Therefore, the *SERK*-mediated signaling pathway may interact at some point with the auxin pathway, but *SERK* is certainly not an integral part of it. In contrast, it is believed that acquisition of embryogenic competence in tissue culture requires the presence of nonembryogenic cells that produce and secrete molecules into the culture medium. These molecules can then be perceived by other cells that in turn express their competence and develop into embryos (Pennell et al., 1992; de Jong et al., 1993). Several plant-produced molecules that may have a role in cell-to-cell signaling have been identified, including chitinases (de Jong et al., 1992) and arabinogalactan proteins (McCabe et al., 1997; Toonen et al., 1997a).

Are All Cells of the Embryo Sac Competent to Form Embryos?

Zygotic embryo development commences at fertilization and the zygote could therefore be considered to be the first "embryogenic cell" of the ovule. In line with this idea, *DcSERK* expression was not detected prior to fertilization in developing carrot flowers, suggesting that embryogenic competence is not acquired before formation of the zygote in carrot (Schmidt et al., 1997). Experiments with isolated egg cells have also shown that fertilization is an absolute requirement for embryogenesis to proceed (Dumas and Mogensen, 1993; Faure et al., 1994). However, *AtSERK1* is clearly expressed before meiosis during ovule development in gametophytic and sporophytic tissue. At ovule maturity, all cells of the embryo sac express *AtSERK1*. Assuming that *AtSERK1* expression strictly correlates with embryogenic potential, these results suggest that all cells of the embryo sac are competent for embryogenesis. Rare cases where non-gametic cells of the embryo sac such as the synergids and antipodals develop autonomously into an embryo have been described (for review, see Maheswari, 1950; Kamelina, 1995; Solntseva, 1995), but their existence remains controversial (Czapik, 1999; Shishkinskaya and Yudakova, 1999).

Somatic (sporophytic) cells surrounding the embryo sac can develop into an embryo, as occurs in apomixis (Koltunow, 1993; Koltunow et al., 1995), and reduced egg cells can initiate embryogenesis parthenogenetically in the absence of fertilization (Matzk et al., 1995; Matzk, 1996). Apomixis refers to

asexual reproduction through seeds that involves the avoidance of meiosis and fertilization-independent embryo development (Grossniklaus, 2001). Different mechanisms for apomixis have been distinguished according to the identity of the initial cell that gives rise to the embryo sac or to the embryo. Gametophytic apomixis requires the formation of a non-reduced embryo sac and autonomous embryo development. In diplospory, the MMC gives rise to non-reduced spores, which in turn form a non-reduced embryo sac, whereas in apospory, a somatic cell develops into a non-reduced embryo sac (Koltunow, 1993). Adventitious embryony corresponds to the direct development of an embryo from cells outside of the sexual embryo sac. Depending on the plant species analyzed, it is considered that apomixis is controlled by one or two major loci (Nogler, 1995; Savidan, 1982; Koltunow et al., 1998; van Baarlen et al., 1999). It has been shown recently that in addition to these major loci, other genetic factors or modifiers are also important for the efficient expression of apomixis (Koltunow et al., 2000). These results suggest the existence of a complex pathway controlling apomixis. None of the components of the apomictic pathway have been identified yet, and a role for SERK in apomictic reproduction remains a possibility.

Somatic and gametophytic cells are competent to form embryos. This suggests that embryogenesis does not rely on specific information stored in the unfertilized egg cell or that other embryogenic cells have an egg cell-like character. However, the nature of the stimuli that induce embryo development in different situations remains unknown. Although all cells of the embryo sac express *AtSERK1* and could be competent to form embryos, only the egg cell develops into an embryo after fertilization. Thus, the interaction between male and female gametes or even components delivered into the egg cell during fertilization might be the "inducers" of embryo development. Some of the genetically defined modifiers of apomixis (Koltunow et al., 2000) may also contribute to this induction.

The *AtSERK1* Gene Determines Embryogenic Competence in Culture

Embryogenic competence in plant tissue culture is an operational definition (Toonen and de Vries, 1997). The processes that govern the property of embryogenic competence in plant cells remain largely unknown (Mordhorst et al., 1997). Our results indicate that *AtSERK1* not only marks cells competent to form embryos, but is also involved in conferring this embryogenic competence. Thus, it appears that *AtSERK1*-activating ligands are present during embryogenic culture and are not the rate-limiting step in activation of the *AtSERK1*-mediated signal transduction cascade.

Mutations in the *AMP1*, *CLV1*, and *CLV3* genes result in similar increase in embryogenic compe-

tence. It was proposed previously that the enhanced embryogenic capacity of these mutants is an indirect effect, resulting from an increased number of undifferentiated cells in the SAM of these mutants (Mordhorst et al., 1998). The higher *AtSERK1* expression in *amp1* cultures in comparison with wild type may correlate with the embryogenic competence of such undifferentiated cells. Therefore, one of the effects of *AMP1* activity could be to suppress the expression of *AtSERK1* after germination. It is interesting to note that the loss of function of *AMP1* has a stronger effect on embryogenic potential and plant development than the 35S promoter-driven *AtSERK1* expression. Artificial increase of *AtSERK1* expression level is apparently not sufficient to overcome possible inhibition by *AMP1*. *AtSERK1* RNA levels are higher in calli derived from *amp1* mutants than in calli derived from 35S::*AtSERK1* plants, consistent with the higher embryogenic potential of the *amp1* cultures.

Induction of embryo development can also occur on leaves of plants ectopically expressing *LEAFY COTYLEDON 1 (LEC1)* (Lotan et al., 1998) and on roots in the *pickle (pkl)* mutant (Ogas et al., 1997, 1999). The loss of function mutant *lec1* shows trichome development on cotyledons, suggesting that early vegetative development is occurring during late embryogenesis. One explanation could be that the *LEC1* transcription factor represses vegetative development, and as an unexpected side effect, its ectopic expression results in spontaneous somatic embryo formation. In a scenario similar to the one we propose for continued *AtSERK1* expression in *amp1* seedlings, the chromatin-remodeling factor *PKL* is suggested to repress the transcription of *LEC1* (Ogas et al., 1997, 1999). As has been discussed (de Vries, 1998; Harada et al., 1998), *PKL* and *LEC* may be involved in repressing certain aspects of postembryonic development. Because none of the genes mentioned above have been shown to interact genetically, it appears therefore that several different independent pathways influence embryogenic competence.

SERK Signaling Pathway during Embryogenesis

Our results indicate that the SERK-mediated signaling pathway, as it occurs during somatic embryogenesis, is recruited from a pathway that operates normally during ovule development. Therefore, we propose that *AtSERK1* could be a component of an embryogenesis-signaling pathway. Competent cells may contain an inactive receptor, which is activated by the presence of the proper ligand to switch on the embryogenesis program. In the near future, it would be of great importance to identify the components of the SERK signaling pathway, such as the activating ligand and downstream targets, and to determine whether other ovule-expressed genes are involved in this pathway.

MATERIALS AND METHODS

Plant Material

Arabidopsis ecotype WS seeds were sown on filter paper incubated at 4°C for 48 h and were germinated on soil in a growth chamber at 22°C with 16-h-light/8-h-night periods.

Library Screening, Subcloning, and DNA Sequencing

The screening procedure is described in Sambrook et al. (1989). For the first screening, autoradiography was done at -80°C using x-ray films (XR-omat, Eastman-Kodak, Rochester, NY) and hyperscreen intensifying screens (Amersham, Buckinghamshire, UK). For the second and third screening, membranes were hybridized with the enhanced chemiluminescence direct nucleic acid labeling and detection kit (Amersham).

Independent clones (2×10^5) of an Arabidopsis ecotype Landsberg *erecta* genomic library in Lambda-FIXII were screened using the carrot (*Daucus carota*) cDNA clone 31-50 (Schmidt et al., 1997) as a probe. Six lambda phages were recovered, purified, and one of them was used for subcloning. The entire *AtSERK1* gene, including the promoter, was included in this phage, subcloned in pBLUESCRIPT (Stratagene, La Jolla, CA), and completely sequenced.

Phages (1.5×10^6) from an amplified Lambda-ZAPIII (Stratagene) cDNA library made from flower buds and open flowers (Li and Thomas, 1998) were plated according to the manufacturer's protocol. The plaques were hybridized with a 4-kb *Xba*I fragment of genomic *AtSERK1* gene containing most of the coding sequence, and five positives were recovered and characterized by end sequencing.

DNA sequences were determined by the dideoxy-chain terminator method on double-stranded DNA templates (Sanger et al., 1977; Chen and Seeburg, 1985) using an ABI 373A (Applied Biosystems, Foster City, CA) automatic sequencer.

Primers Used

AtSERK1-specific primers used were: S1 (5'-TAAGTTT-GTCAGATTTCCAAGATTACTAGG-3'), V1 (5'-TTG-GAAATCTGACAACTTAGTGAGTTTGG-3'), S2 (5'-TCGTCGCCACCAAGCAAAGGCTATTGCAGG-3'), V2 (5'-GCTGCTCCTGCAATAGCCTTTGCTTGGTGG-3'), S3 (5'-AGAGATATTCTGGAGCGATGTGACCGATGG-3'), V3 (5'-CGTGACAACAGCAGTCCGTGGCACCATCGG-3'), S4 (5'-TGCAGACACTAAAGATAGCGATTACCTCC-3'), V4 (5'-TGGAGGTGAATCGCTATCTTTAGTGTCTGC-3'), S5 (5'-CACATTATGCTTACCCCATGTGGTGGATGG-3'), V5 (5'-ATGAAAATAAAGAGTCCATCCACCACATGG-3'), S6 (5'-ACCCTCAAAGTATGCAAAGC-3'), V6 (5'-ATGCTTTG-CATACTTTGAGG-3'), and V7 (5'-GACGACGACGAGAA-CGCGG-3').

The cyclophilin constitutively expressed *ROC5*-specific primers used were: *ROC5-5* (5'-TCTCTCTTCCAAATCTCC-3') and *ROC5-3* (5'-AAGTCTCTCACTTTCTCACT-3').

AtSERK1 Gene Constructs and Transformation of Arabidopsis

The *AtSERK1* promoter region of 2 kb was cloned into pGPTV-KAN (Becker et al., 1992) by directional cloning with a blunt end and *Sal*I restriction enzyme sites. *AtSERK1* full-length cDNA was cloned as an *Sac*I-*Kpn*I fragment in pRT105 (Töpfer et al., 1993) containing the CaMV 35S promoter. The 35S::*AtSERK1* fragment was then transferred to the pMOG800-based binary vector (Toonen et al., 1997b) by *Hinc*II and *Hind*III digestion. The 35S::*AtSERK1-EX* construct was cloned in the binary vector pMOG800 by *Hind*III digestion. All constructs were verified by sequencing using the specific *AtSERK1* primers and were electroporated in *Agrobacterium tumefaciens* strain C58C1 containing a disarmed C58 Ti plasmid (Koncz et al., 1989).

Arabidopsis ecotype WS plants were transformed by vacuum infiltration (Bechtold et al., 1993) with the different constructs. Between 24 and 36 plants were used for each transformation experiment. T₁ seeds were selected on one-half-strength Murashige and Skoog salt medium (Murashige and Skoog, 1962; DUCHEFA, Haarlem, The Netherlands) supplemented with 10% (w/v) Suc and 50 mg L⁻¹ kanamycin for 10 d. The kanamycin-resistant seedlings were transferred in soil and used for amplification of seeds, and each T₁ plant was the mother plant of independent lines. The T₂ seeds were selected on kanamycin, transferred to soil, and analyzed.

Initiation of Embryogenic Cultures

Embryogenic cultures were initiated using the *amp1* seedling assay as described by (Mordhorst et al., 1998). In brief, around 30 seeds were surface sterilized and incubated in 20 mL of liquid medium. The induction medium was Murashige and Skoog salts containing 2% (w/v) Suc, 4.5 μM 2,4-D, and 10 mM MES [2-(*N*-morpholino)-ethanesulfonic acid] medium at pH 5.8 (MS-4). After a cold treatment of 2 d at 4°C, cultures were kept on a rotary shaker (100 rpm) at 25°C in the light (3,000 lux for 16 h of light and 8 h of darkness). Each germinated seedling developed a callus aggregate. After 2 weeks of culture, and subsequently every week, medium was replaced with fresh MS-4 medium. After 3 weeks, seedlings developing embryogenic green clusters with a smooth surface and/or yellowish nonembryogenic callus were subcultured independently and gave rise to embryogenic and nonembryogenic cultures, respectively. Somatic embryos were obtained after culturing embryogenic clusters in absence of 2,4-D for 1 week.

GUS Assays

Plant tissues were immersed in ice-cold 90% (w/v) acetone and placed for 1 h at -20°C. The tissues were then washed three times for 20 min in 0.1 M sodium phosphate buffer (pH 7) containing 2.5 mM potassium ferricyanide and ferrocyanide. GUS staining was performed in 50 mM sodium phosphate buffer, pH 7, 10 mM EDTA, 0.1% (w/v) Triton X-100, 10% (w/v) dimethyl sulfoxide, 2.5 mM potas-

sium ferri- and ferrocyanide, and 1 mg mL⁻¹ of 5-bromo-4-chloro-3-indolyl- β -glucuronic acid (DUCHEFA) for 2 to 4 h at 37°C for ovules and developing seeds and for more than 16 h for vascular tissues. Unfertilized carpels and ovules were cleared in 20% (w/v) lactic acid and 20% (w/v) glycerol in 1× phosphate-buffered saline, whereas fertilized carpels, developing seeds, and other organs were cleared in Hoyer's clearing solution (100 g of chloral hydrate, 5 mL of glycerol, and 30 mL of water). Observations were performed using an Optiphot microscope (Nikon, Tokyo) equipped with Nomarski optics. Pictures were taken with Ectachrom 320ASA (Eastman-Kodak) and were processed with Adobe Photoshop 5.0.2 (Adobe Systems, Mountain View, CA).

RT-PCR Analysis

Total RNA was extracted as described previously (Kay et al., 1987) from 2 to 4 g of different tissues (flower buds, opened flowers, siliques at different developmental stages, leaves, stems, roots, seedlings, embryogenic structures, and nonembryogenic structures). DNaseI treatment (Promega, Madison, WI), reverse transcription, and PCR reactions were performed according to Albrecht et al. (1998). For semiquantitative RT-PCR analysis, PCR products were collected after 24, 26, 28, 30, 32, 34, and 36 cycles to determine the linearity of the PCR. The linearity of the PCR was determined for *AtSERK1* and *ROC5* genes between 28 and 32 cycles. The amplified fragments were separated on 1.5% (w/v) agarose gels, blotted, and hybridized with the corresponding probe. The *AtSERK1*-specific primers used were V1 and S2, resulting in a fragment of 460 bp. The *ROC5*-specific primers used were ROC5-5 and ROC5-3 and resulted in a fragment of 568 bp (Chou and Gasser, 1997). The intensity of each band was measured by Image Quant for Macintosh (Molecular Dynamics, Sunnyvale, CA) and values were processed by Excel (Microsoft Office 98, Microsoft Corporation, Redmond, WA). *AtSERK1* expression levels were calculated after normalization relative to *ROC5* expression.

ISH

A *Bam*HI fragment of 350 bp of *AtSERK1* cDNA containing the 5'-untranslated region and the first two exons was subcloned in pBLUESCRIPT (Stratagene). Sense and anti-sense probes were obtained from this partial *AtSERK1*. ISH was performed according to Vielle-Calzada et al. (1999).

ACKNOWLEDGMENTS

We are grateful to Carlos Alonso Blanco and Ton Peeters for giving us the genomic DNA library, to Terry Thomas for providing us with the cDNA library, and to Chuck Gasser for the primer sequences for the amplification of *ROC5*. We thank Tony van Kampen for DNA sequencing and David Bouchez for mapping results. We are very grateful to Boudewijn van Veen for his help in the artwork in

Figures 4 and 5. We especially thank Jim Weller for critical comments on the manuscript.

Received April 5, 2001; returned for revision June 18, 2001; accepted July 16, 2001.

LITERATURE CITED

- Albrecht C, Geurts R, Lapeyrie F, Bisseling T** (1998) Endomycorrhizae and rhizobial Nod factors both require SYM8 to induce the expression of the early nodulin genes *PsENOD5* and *PsENOD12A*. *Plant J* **15**: 605–614
- Altschul SF, Gish W, Miller W, Myers EW, Lipman DJ** (1990) Basic alignment search tool. *J Mol Biol* **215**: 403–410
- Baudino S, Hansen S, Brettschneider R, Hecht V, Dresselhaus T, Lörz H, Dumas C, Rogowsky P** (2001) Molecular characterization of two novel maize LRR receptor-like kinases, which belong to the *SERK* gene family. *Planta* **213**: 1–10
- Bechtold N, Ellis J, Pelletier G** (1993) *In planta Agrobacterium* mediated transfer by infiltration of adult *Arabidopsis thaliana* plants. *C R Acad Sci Paris* **316**: 1194–1199
- Becker D, Kemper E, Schell J, Masterson R** (1992) New plant binary vectors with selectable markers located proximal to the left T-DNA border. *Plant Mol Biol* **20**: 1195–1197
- Becraft PW** (1998) Receptor kinases in plant development. *Trends Plant Sci* **3**: 384–388
- Brown JWS, Smith P, Simpson CG** (1996) *Arabidopsis* consensus intron sequences. *Plant Mol Biol* **32**: 531–535
- Chaudhury AM, Letham S, Craig S, Dennis ES** (1993) *amp1*: a mutant with high cytokinin levels and altered embryonic pattern, faster vegetative growth, constitutive photomorphogenesis and precocious flowering. *Plant J* **4**: 907–916
- Chen Y, Seeburg PY** (1985) Supercoil sequencing: a fast and simple method for sequencing plasmid DNA. *DNA* **4**: 165–190
- Chou IT, Gasser CS** (1997) Characterization of the cyclophilin gene family of *Arabidopsis thaliana* and phylogenetic analysis of known cyclophilin proteins. *Plant Mol Biol* **35**: 873–892
- Clark SE, Running MP, Meyerowitz EM** (1995) *CLAVATA3* is a specific regulator of shoot and floral meristem development affecting the same processes as *CLAVATA1*. *Development* **121**: 2057–2067
- Clark SE, Williams RW, Meyerowitz EM** (1997) The *CLAVATA1* gene encodes a putative receptor kinase that controls shoot and floral meristem size in *Arabidopsis*. *Cell* **89**: 575–585
- Creusot F, Fouilloux E, Dron M, Lafleurriel J, Picard G, Billault A, Le Paslier D, Cohen D, Chaboue ME, Durr A et al.** (1995) The CIC library: a large insert YAC library for genome mapping in *Arabidopsis thaliana*. *Plant J* **8**: 763–770
- Czapik R** (1999) Enigma of apogamety. *Protoplasma* **208**: 206–210
- de Jong AJ, Cordewener J, Lo Schiavo F, Terzi M, Vandekerckhove J, van Kammen A, de Vries SC** (1992)

- A carrot somatic embryo mutant is rescued by chitinase. *Plant Cell* **4**: 425–433
- de Jong AJ, Schmidt EDL, de Vries SC** (1993) Early events in higher-plant embryogenesis. *Plant Mol Biol* **22**: 367–377
- de Vries SC** (1998) Making embryos in plants. *Trends Plant Sci* **3**: 451–452
- Dumas C, Mogensen HL** (1993) Gametes and fertilization: maize as a model system for experimental embryogenesis in flowering plants. *Plant Cell* **5**: 1337–1348
- Faure J-E, Digonnet C, Dumas C** (1994) An *in vitro* system for adhesion and fusion of maize gametes. *Science* **263**: 1598–1600
- Fletcher LC, Brand U, Running MP, Simon R, Meyerowitz EM** (1999) Signaling of cell fate decisions by CLAVATA3 in *Arabidopsis* shoot meristems. *Science* **283**: 1911–1914
- Grossniklaus U** (2001) From sexuality to apomixis: molecular and genetic approaches. In Y Savidan, J Carman, T Dresselhaus, eds, *Advances in Apomixis Research*. CYMMIT Press, Texcoco, Mexico, pp 168–211
- Guzzo F, Baldan B, Levi M, Sparvoli E, Lo Schiavo F, Terzi M, Mariani P** (1995) Early cellular events during induction of carrot explants with 2,4-D. *Protoplasma* **185**: 28–36
- Guzzo F, Baldan B, Mariani P, Loschiavo F, Terzi M** (1994) Studies on the origin of totipotent cells in explants of *Daucus carota* L. *J Exp Bot* **45**: 1427–1432
- Hanks SK, Quinn AM, Hunter T** (1988) The protein kinase family: conserved features and deduced phylogeny of the catalytic domains. *Science* **242**: 42–51
- Harada JJ, Lotan T, Fisher RL** (1998) . . . response: embryos without sex. *Trends Plant Sci* **3**: 452–453
- He Z, Wang Z, Li J, Zhu Q, Lamb C, Ronald P, Chory J** (2000) Perception of brassinosteroids by the extracellular domain of the receptor kinase BRI1. *Science* **288**: 2360–2363
- Jeong S, Trotochaud AE, Clark SE** (1999) The *Arabidopsis* CLAVATA2 gene encodes a receptor-like protein required for the stability of CLAVATA1 receptor-like kinase. *Plant Cell* **11**: 1925–1933
- Jürgens G, Mayer U** (1994) *Arabidopsis*. In JBL Bard, ed, *Embryos. Color Atlas of Development*. Wolf Publishers, London, pp 7–21
- Kamelina O** (1995) Synergid apogamy in the genus *Tetradiclis* Stev. (Tetradicliaceae) and occurrence of this phenomenon in flowering plants. *Apomixis Newslett* **8**: 32–33
- Kay R, Chan A, Daly M, McPherson J** (1987) Duplication of the CaMV 35S promoter sequences create a strong enhancer for plant genes. *Science* **236**: 1299–1302
- Kayes JM, Clark SE** (1998) CLAVATA2, a regulator of meristem and organ development in *Arabidopsis*. *Development* **125**: 3843–3851
- Kobe B, Deisenhofer J** (1994) The leucine-rich repeat: a versatile binding motif. *Trends Biol Sci* **19**: 415–420
- Koltunow AM** (1993) Apomixis: embryo sacs and embryos formed without meiosis or fertilization in ovules. *Plant Cell* **5**: 1425–1437
- Koltunow AM, Bicknell RA, Chaudhury AM** (1995) Apomixis: molecular strategies for the generation of genetically identical seeds without fertilization. *Plant Physiol* **108**: 1345–1352
- Koltunow AM, Johnson SD, Bicknell RA** (1998) Sexual and apomictic development in *Hieracium*. *Sex Plant Reprod* **11**: 213–230
- Koltunow AM, Johnson SD, Bicknell RA** (2000) Apomixis is not developmentally conserved in related, genetically characterized *Hieracium* plants of varying ploidy. *Sex Plant Reprod* **12**: 253–266
- Koncz C, Martini N, Mayerhofer R, Koncz-Kalman Z, Korber H, Redei GP, Schell J** (1989) High-frequency T-DNA-mediated gene tagging in plants. *Proc Natl Acad Sci USA* **86**: 8467–8471
- Landschulz WH, Johnson PF, McKnight SL** (1988) The leucine zipper: a hypothetical structure common to a new DNA binding proteins. *Science* **240**: 1759–1764
- Laux T, Jürgens G** (1997). *Embryogenesis: a new start in life*. *Plant Cell* **9**: 989–1000
- Lease K, Ingham E, Walker JC** (1998) Challenges in understanding RLK function. *Curr Opin Plant Biol* **1**: 388–392
- Li J, Chory J** (1997) A putative leucine-rich repeat receptor kinase involved in brassinosteroid signal transduction. *Cell* **90**: 929–938
- Li Z, Thomas TL** (1998) *PEI1*, an embryo-specific zinc finger protein gene required for heart-stage embryo formation in *Arabidopsis*. *Plant Cell* **10**: 383–398
- Lotan T, Ohto M, Yee MK, West MA, Lo R, Kwong RW, Yamagishi K, Fischer RL, Goldberg RB, Harada JJ** (1998) *Arabidopsis* LEAFY COTYLEDON 1 is sufficient to induce embryo development in vegetative tissue. *Cell* **93**: 1195–1205
- Maheswari P** (1950) *An Introduction to the Embryology of Angiosperms*. McGraw-Hill, New York
- Matzk F** (1996) The Salmon system of wheat: a suitable model for apomixis research. *Hereditas* **125**: 299–301
- Matzk F, Meyer HM, Baumlein H, Balzer HJ, Schubert I** (1995) A novel approach to the analysis of the initiation of embryo development in Gramineae. *Sex Plant Reprod* **8**: 266–272
- McCabe PF, Valentine TA, Forsberg LS, Pennell RI** (1997) Soluble signals from cells identified at the cell wall establish a developmental pathway in carrot. *Plant Cell* **9**: 2225–2241
- Meinke DW, Cherry JM, Dean C, Rounsley SD, Koornneef M** (1998) *Arabidopsis thaliana*: a model plant for genome analysis. *Science* **282**: 679–682
- Mordhorst AP, Toonen MAJ, de Vries SC** (1997) Plant embryogenesis. *Crit Rev Plant Sci* **16**: 535–576
- Mordhorst AP, Voerman KJ, Hartog MV, Meijer EA, van Went J, Koornneef M, de Vries SC** (1998) Somatic embryogenesis in *Arabidopsis thaliana* is facilitated by mutations in genes repressing meristematic cell divisions. *Genetics* **149**: 549–563
- Murashige T, Skoog F** (1962) A revised medium for rapid growth and bioassays with tobacco tissue culture. *Physiol Plant* **15**: 473–497

- Nogler GA** (1995) Genetics of apomixis in *Ranunculus auricomus*: VI. Epilogue Bot Helv **105**: 111–115
- Ogas J, Cheng J-C, Sung ZR, Somerville C** (1997) Cellular differentiation regulated by gibberellin in the *Arabidopsis thaliana* pickle mutant. Science **277**: 91–94
- Ogas J, Kaufmann S, Henderson J, Somerville C** (1999) PICKLE is a CHD3 chromatin-remodeling factor that regulates the transition from embryogenic to vegetative development in *Arabidopsis*. Proc Natl Acad Sci USA **96**: 13839–13844
- Pennell RI, Janniche L, Scofield GN, Booij H, de Vries SC, Roberts K** (1992) Identification of a transitional cell state in the developmental pathway to carrot somatic embryogenesis. J Cell Biol **119**: 1371–1380
- Sambrook J, Fritsch EF, Maniatis R** (1989) Molecular Cloning: A Laboratory Manual. Cold Spring Harbor Laboratory Press, Cold Spring Harbor, NY
- Sanger F, Niklen S, Coulson AR** (1977) Sequencing with chain-terminating inhibitors. Proc Natl Acad Sci USA **74**: 5463–5467
- Savidan Y** (1982) Nature et hérédité de l'apomixie chez *Panicum maximum* Jacq. Trav Doc ORSTOM **153**: 1–159
- Schmidt EDL, Guzzo F, Toonen MAJ, de Vries SC** (1997) A leucine-rich repeat containing receptor-like kinase marks somatic plant cells competent to form embryos. Development **124**: 2049–2062
- Schneitz K, Hülskamp M, Pruitt RE** (1995) Wild-type ovule development in *Arabidopsis thaliana*: a light microscope study of cleared whole-mount tissue. Plant J **7**: 731–749
- Shah K, Schmidt EDL, Vlak JM, de Vries SC** (2001a) Expression of the *Daucus carota* somatic embryogenesis receptor kinase (DeSERK) protein in insect cells. Biochimie **83**: 415–421
- Shah K, Vervoort J, de Vries SC** (2001b). Role of threonines in the AtSERK1 activation loop in auto- and transphosphorylation. J Biol Chem (in press)
- Solntseva PM** (1995) Letters. Apomixis Newslett **8**: 55–57
- Shishkinskaya NA, Yudakova OI** (1999) The problem of apogamety in plants. Apomixis Newslett **11**: 12–13
- Somleva MN, Schmidt EDL, de Vries SC** (2000) Embryonic cells in *Dactylis glomerata* L. (Poaceae) explants identified by cell tracking and by SERK expression. Plant Cell Rep **19**: 718–726
- Stone JM, Trotochaud AE, Walker JC, Clark SE** (1998) Control of meristem development by CLAVATA1 receptor kinase and kinase-associated protein phosphatase interaction. Plant Physiol **117**: 1217–1225
- Stone JM, Walker JC** (1995) Plant protein kinase families and signal transduction. Plant Physiol **108**: 451–457
- The Arabidopsis Genome Initiative** (2000) Analysis of the genome sequence of the flowering plant *Arabidopsis thaliana*. Nature **408**: 795–815
- Toonen M, Schmidt E, Hendriks T, Verhoeven H, de Vries S** (1993) Identification of single embryo-forming cells in carrot suspension cultures. Acta Bot Neerl **42**: 518–519
- Toonen MAJ, Schmidt EDL, van Kammen A, de Vries SC** (1997a) Promotive and inhibitory effects of diverse arabinogalactan proteins on *Daucus carota* L. somatic embryogenesis. Planta **203**: 188–195
- Toonen MAJ, Verhees JA, Schmidt EDL, van Kammen A, de Vries SC** (1997b) AtLTP1 luciferase expression during carrot somatic embryogenesis. Plant J **12**: 1213–1221
- Töpfer R, Maas C, Hörricke-Grandpierre C, Schell J, Steinbiss HH** (1993) Expression vectors for high-level gene expression in dicotyledonous and monocotyledonous plants. Methods Enzymol **217**: 66–78
- Torii KU, Mitsukawa N, Oosumi T, Matsuura Y, Yokoyama R, Whittier RE, Komeda Y** (1996) The *Arabidopsis ERECTA* gene encodes a putative receptor protein kinase with extracellular leucine-rich repeats. Plant Cell **8**: 735–746
- Tornero P, Mayda E, Gómez MD, Cañas L, Conjero V, Vera P** (1996) Characterization of LRP, a leucine-rich repeat (LRR) protein from tomato plants that is processed during pathogenesis. Plant J **10**: 315–330
- Trotochaud AE, Hao T, Wu G, Yang ZB, Clark SE** (1999) The CLAVATA1 receptor-like kinase requires CLAVATA3 for its assembly into a signaling complex that includes KAPP and a Rho-related protein. Plant Cell **11**: 393–405
- Trotochaud AE, Jeong S, Clark SE** (2000) CLAVATA3, a multimeric ligand for the CLAVATA1 receptor-kinase. Science **289**: 613–617
- van Baarlen P, Verduijn M, van Dijk PJ** (1999) What can we learn from natural apomicts? Trends Plant Sci **4**: 43–44
- van der Kooy D, Weiss S** (2000) Why stem cells. Science **287**: 1439–1441
- Vielle-Calzada J-P, Thomas J, Spillane C, Coluccio A, Hoepfner MA, Grossniklaus U** (1999) Maintenance of genomic imprinting at the *Arabidopsis medea* locus requires zygotic *DDM1* activity. Genes Dev **13**: 2971–2982
- von Heijne G** (1986) A new method for predicting signal sequence cleavage site. Nucleic Acids Res **14**: 4683–4690
- von Recklinghausen IR, Iwanowska A, Kieft H, Mordhorst AP, Schel JHN, van Lammeren AAM** (2000) Structure and development of somatic embryos formed in *Arabidopsis thaliana* pt callus cultures derived from seedlings. Protoplasma **211**: 217–224
- Williams RW, Wilson JM, Meyerowitz EM** (1997) A possible role for kinase-associated protein phosphatase in the *Arabidopsis* CLAVATA1 signaling pathway. Proc Natl Acad Sci USA **94**: 10467–10472

CORRECTION

Vol. 127: 803–816, 2001

Hecht V., Vielle-Calzada J.-P., Hartog M.V., Schmidt E.D.L., Boutilier K., Grossniklaus U., and de Vries S.C. The Arabidopsis *SOMATIC EMBRYOGENESIS RECEPTOR KINASE 1* Gene Is Expressed in Developing Ovules and Embryos and Enhances Embryogenic Competence in Culture.

There has been an incorrect replacement of the word nucellus by the word nucleus in the text, once in the abstract on page 803, four times in the "Results" section "The *AtSERK1* Gene Is Expressed in Developing Ovules and Embryos" on page 807, and once in the legend of Figure 4 on page 808.